

The 707 SL Furler, Outstanding Functionality Meets Ease Of Use In A Single Line Furling And Reefing System

Max system length: 53'3" • For boats from 25' to 33' (8-10m)

Featuring heavy-duty construction for maximum reliability and performance, the 707 SL furler is simple to install, use, and maintain – even under challenging conditions.



707 SL-FURLER

Wire Diameter 1x19ss

- 3/16" (5mm)
- 7/32" (6mm)
- 1/4" (7mm)
- 9/32" (8mm)

Rod sizes - 4 - 6 - 8 - 10

Clevis pin diameter**

- 5/16" (8mm)
- 3/8" (9.5mm)
- 7/16" (11mm)**
- 1/2" (12.7mm)

**7/16 pin must be ordered separately

Notes: System fits over existing headstays with swage stud style turnbuckles. Some marine eye or mechanical fittings may require removal or re-installation..

H9300-6

707 Furler w/ 6 sections (38'4" / 11.6m)

H9300-7

707 Furler w/ 7 sections (44'4" / 13.5m)

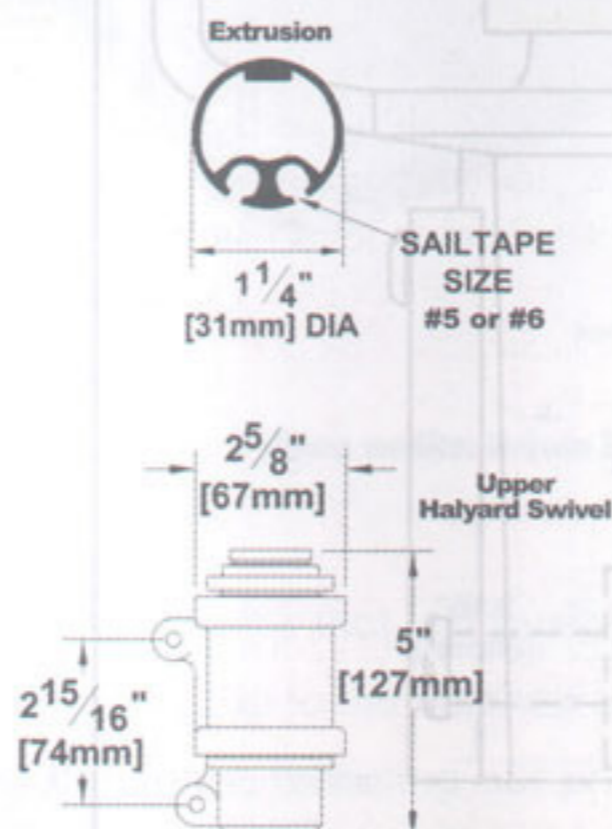
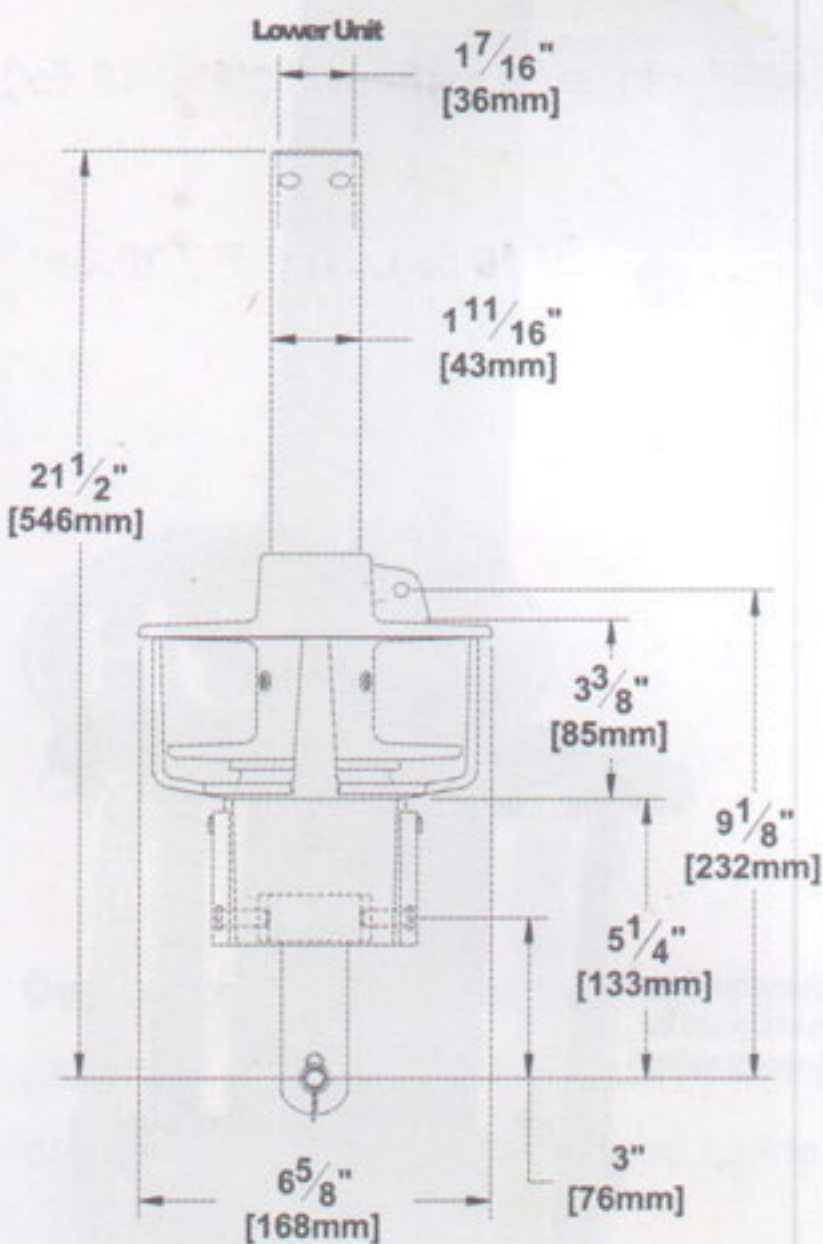
NEW PROFESSIONAL PACKAGE Complete Installation kit H9300PPxxxxxx

Includes: H9300 HLBK-02, H2269, HR5-2 and complete headstay with turnbuckle and mechanical fitting.

Consult Hood Price List for size, wire size and pin and length options.

Installation Accessories

- H9303-1 6'(1.8m) Luff extrusion w/connector, bearing liner and fasteners
- HFL10-55 Furling Line 5/16"x55'
- H9335-2 7/16"(11mm) mounting pin
- HRS-1 Halyard Restrainer (when required)
- HSAIRLEAD Stanchion mounted Bulls-eye Fairlead
- H6866 Single Stanchion Block
- H2269 Sail Pre-feeder
- HLBK-2 Lead Block kit: 3xHSAIRLEAD, 2xH6866 and 1xHFL10-55



Sculpted high load halyard swivel

Machined aluminium top cap

Stainless steel Torlon® spherical bearings

Stainless sailfeed with Verti-Hoist™ technology

Corrosion resistant fasteners (black oxide coated)

Titanium oxide coated tack socket pin

Turnbuckle tube fits over existing turnbuckle

Teflon™ (PTFE) coated hard anodized

Open cage design

Stainless steel and Torlon® bearings in machined hardened spherical races

Short or long heavy duty link plates for high torsional load

Universal mounting clevis

Photo credits: Helsen Signature 47
Specifications subject to change without notice