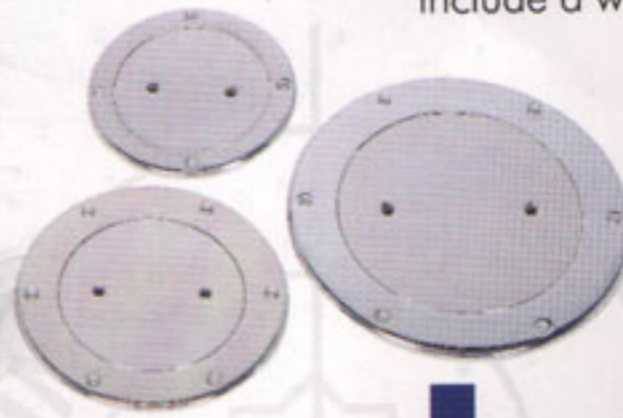




Dorades and Deckplates low profile styling combined with high quality construction

Our 18-8 non-magnetic stainless steel dorades and deckplates are available in a variety of low profile designs that provide maximum circulation and ventilations. Deckplates include a wide range of styles to keep decks clear and watertight.

Dorades & DECKPLATES



DORADES

Part No.	A	B	C	D	E
H6500-05-W*	3 1/2"-90mm	5"-120mm	10 1/2"-267mm	5/8"-16mm	5 3/4"-145mm
H6500-10-W*	4 3/8"-112mm	6 1/4"-160mm	13 5/8"-346mm	5/8"-16mm	7 1/8"-180mm
H6500-20-W*	5 7/8"-150mm	7 7/8"-200mm	15 3/4"-400mm	7/8"-22mm	7 1/2"-190mm

* Deckplates included with dorades.
White stocked as standard. Blue, unpainted and custom color available by special order.

FEATURES - DORADES

- Hand and electro-polished 18-8 non-magnetic stainless steel.
- Snag-free, low profile design.
- Tear drop opening for optimum circulation.
- Stainless steel deck plate provided with O-ring.
- Additional deckplates available separately.

DECKPLATES

Part No.	A	B	C
H6500-05-01	3 1/2"-90mm	5"-120mm	5/8"-16mm
H6500-001	4 3/8"-112mm	6 1/4"-160mm	5/8"-16mm
H6500-20-01	5 7/8"-150mm	7 7/8"-200mm	7/8"-22mm

FEATURES - DECKPLATES

- Hand and electro-polished Type 316 stainless steel.
- Stainless steel deck plate provided with O-ring.
- Replacement o-rings H6500-05-ORING, H6500-10-ORING, H6500-20-ORING.

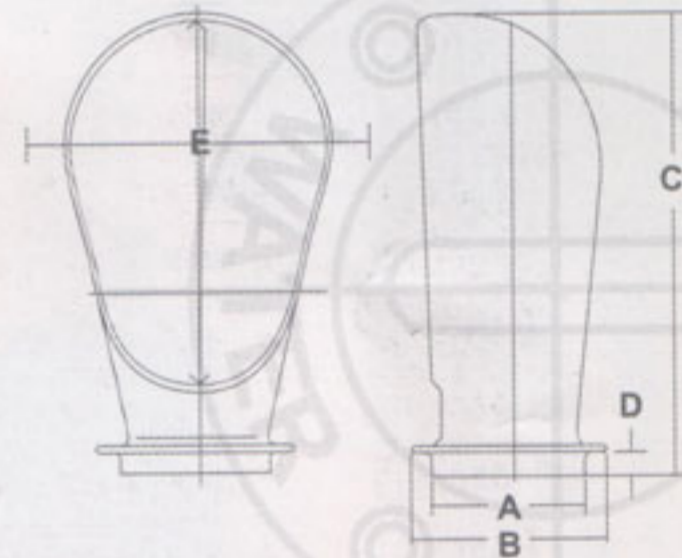
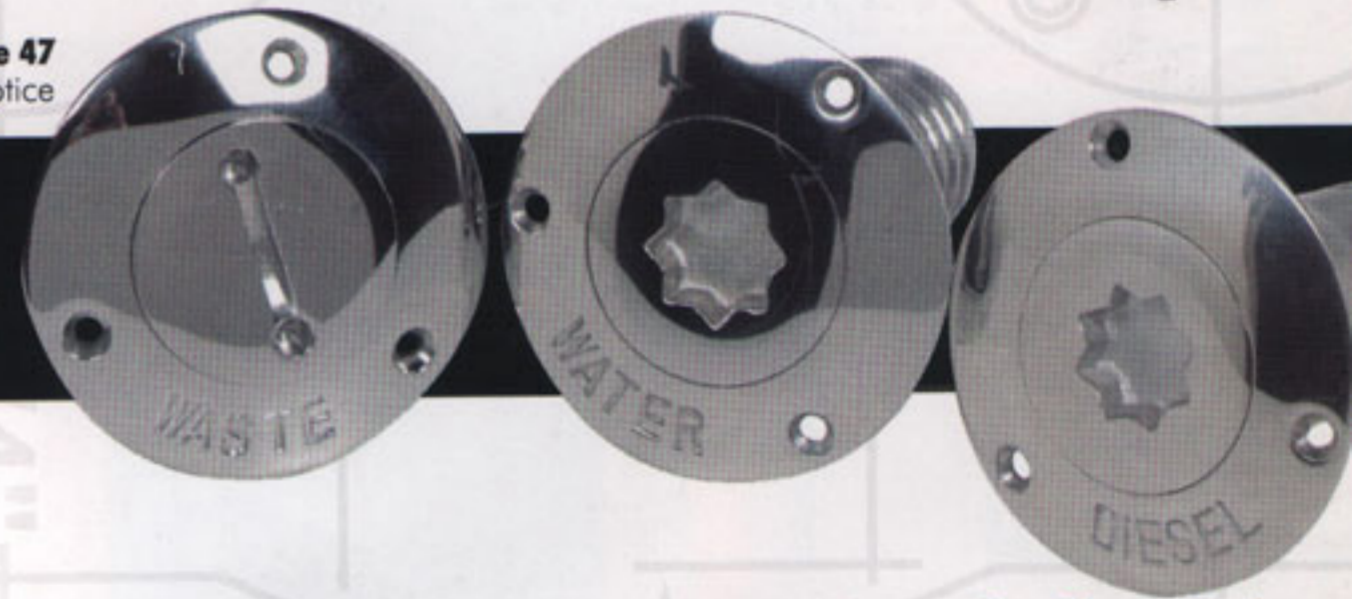
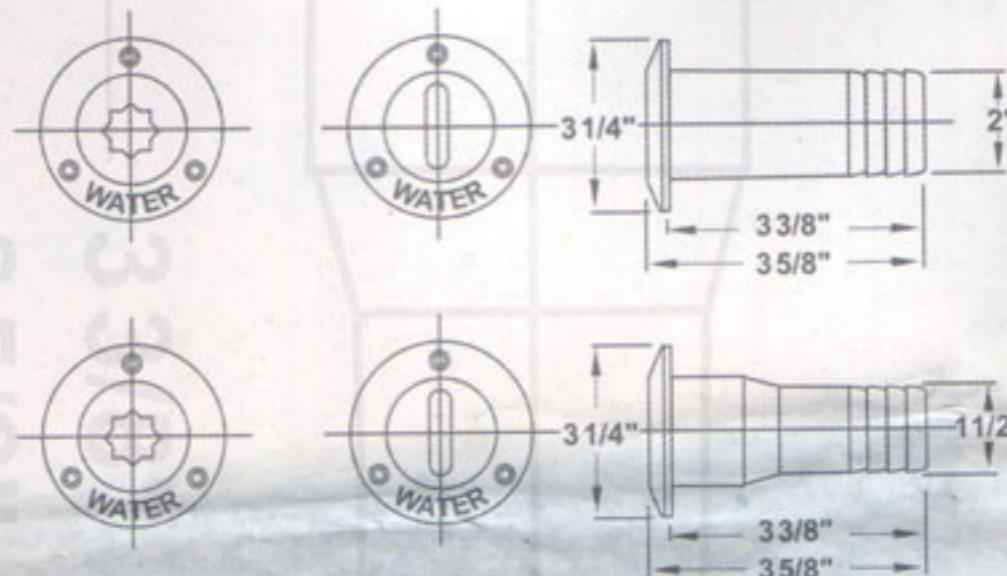


Photo credits: Helsen Signature 47
Specifications subject to change without notice

DECK FILLS

FEATURES

- Type 316 stainless steel. Hand polished and electro-polished to protect against corrosion.
- Each deck fill is marked with either: Diesel, Water or Waste.
- Diesel deck fills come with a stainless steel tang for easy attachment of grounding wire.
- Each deck fill has an o-ring gasket for tight seal.
- Your choice of deck fill cap: sailing yacht type which opens with any standard winch handle or power type which opens with key.



Part No.	Type	Pipe Size	Mark
H6546-10-●	-Water	●	1 1/2"-38mm
	-Diesel	●	1 1/2"-38mm
	-Waste	●	1 1/2"-38mm
H6546-20-●	-Water	●	2"-51mm
	-Diesel	●	2"-51mm
	-Waste	●	2"-51mm

Part No.	Pipe Size	Type	Mark
H6546-10-K	-Water	●—●	1 1/2"-38mm
	-Diesel	●—●	1 1/2"-38mm
	-Waste	●—●	1 1/2"-38mm
H6546-10-K	-Water	●—●	2"-51mm
	-Diesel	●—●	2"-51mm
	-Waste	●—●	2"-51mm